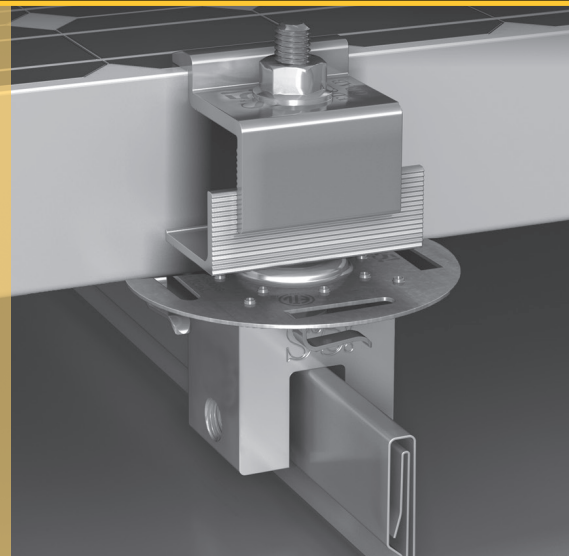
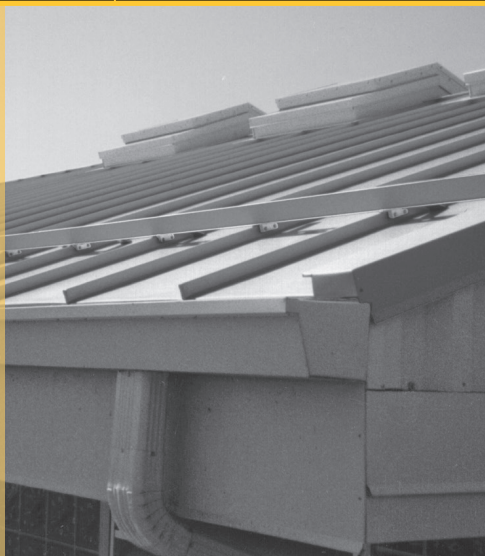



**S-5!**<sup>®</sup>  
The Right Way!

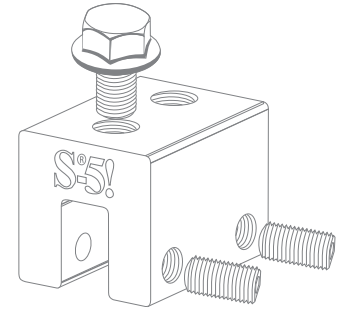
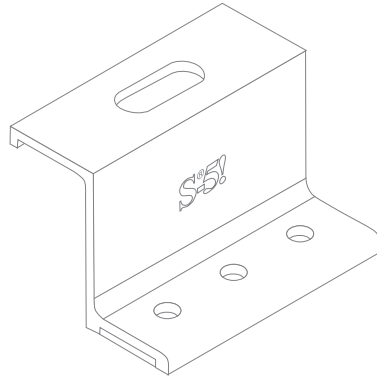
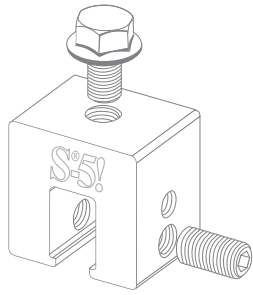


## Attachment Solutions & Products

[www.S-5.com](http://www.S-5.com) | 888-825-3432 | 

# Countless Applications

## S-5!<sup>®</sup> Attachment Products



**Attaching rooftop ancillary items** had always been difficult, often resulting in leaks and maintenance problems, until the advent of S-5!<sup>®</sup>. Thanks to our patented round-point setscrews, S-5! clamps will neither pierce the metal roof paneling, nor violate roof manufacturer warranties!

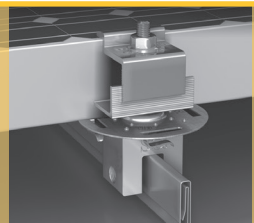
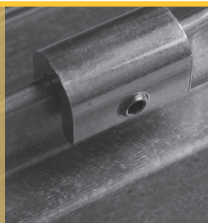
**Metal standing seam systems** represent the “state-of-the-art” in roofing alternatives today, offering service life and dependability measured in decades. S-5! clamps complement these roofs by providing a dependable way to attach things without jeopardizing the integrity of the roof.

**Our broad line of aluminum and brass attachment products** are extremely versatile, fitting most standing seam and exposed-fastened metal roof profiles, including most structural and architectural profiles.

Our clamps and brackets have been laboratory tested on a variety of seam types, profiles, and materials to determine ultimate tensile failure loads. These test results are available on our website [www.S-5.com](http://www.S-5.com) or through your S-5! distributor.

**Their versatile, simple design and ample size** make the standard-sized S-5! clamps so strong, they are perfect for snow retention products and all other heavy-duty applications.

**S-5! mini clamps** also have incredible holding strength, providing exceptional value and performance for medium-duty applications. Having one setscrew rather than two, the mini clamps are the right choice for attaching all kinds of rooftop accessories.



# Attach Almost Anything to Metal Roofs!

Attach solar panels, snow retention and wind performance systems, signs, banners, light fixtures, gas piping, stack and flue bracing, antennas, roof walkways, HVAC equipment, fascias, lightning protection systems, equipment screens, conduit, condensate lines, and more – all without violating the integrity of the roof or the roof manufacturer's warranty!

## Wind Protection and Performance Systems

S-5!® WindClamps™ are designed to increase roof system wind uplift performance. WindClamps can increase wind resistance by preventing multiple modes of failure. In fact, WindClamps have proven to be a necessity in some regions, preserving rooftops subject to extreme weather.

## Satellite Dishes

Satellite dishes and antennas can be installed securely, quickly, and easily using our S-5! Mini clamps, without penetrating the roofing material.

## Signs and Banners

With S-5! clamps, signs and banners are securely mounted with no holes in the roof panels, no leaks, and no problem when the next tenant moves in. Temporary advertising and information banners are easily installed, and subsequently removed, without damage to the panels and without violating the roof warranty.

## Pipes and Conduits

Piping, electrical conduits, condensate lines, and equipment can now be mounted to metal roofs. S-5! clamps offer the perfect attachment solution without unsightly and corrosive wood blocking, harsh and messy sealants, or warranty-voiding holes.

## HVAC and Rooftop Equipment

S-5! clamps allow HVAC, ductwork, and rooftop equipment to be mounted to metal roofs without piercing the roof panels, while still ensuring proper drainage of moisture and debris. Usual mounting methods, such as wood blocking, void roof warranties by trapping moisture against the panel surface. Use of S-5! clamps ensures equipment will not migrate from its intended location, will not obstruct drainage, and can operate efficiently without violating the roof warranty.

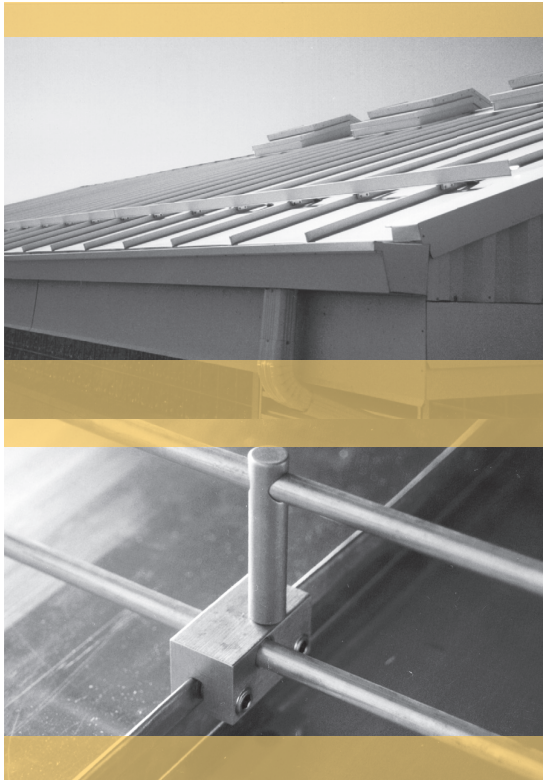
## And Everything Else...

Roof walkways, lightning protection, light fixtures, fascias, downspouts, and dormers — even holiday and rooftop lighting — can all be durably and cost-effectively mounted. Safely and easily attach almost anything to metal roofs, permanently or temporarily, with S-5! attachment solutions.



# Utility Attachments and Applications

S-5!<sup>®</sup> clamps and brackets are extraordinarily versatile and allow you to attach almost anything to standing seam, exposed-fastened, and corrugated metal roof profiles.



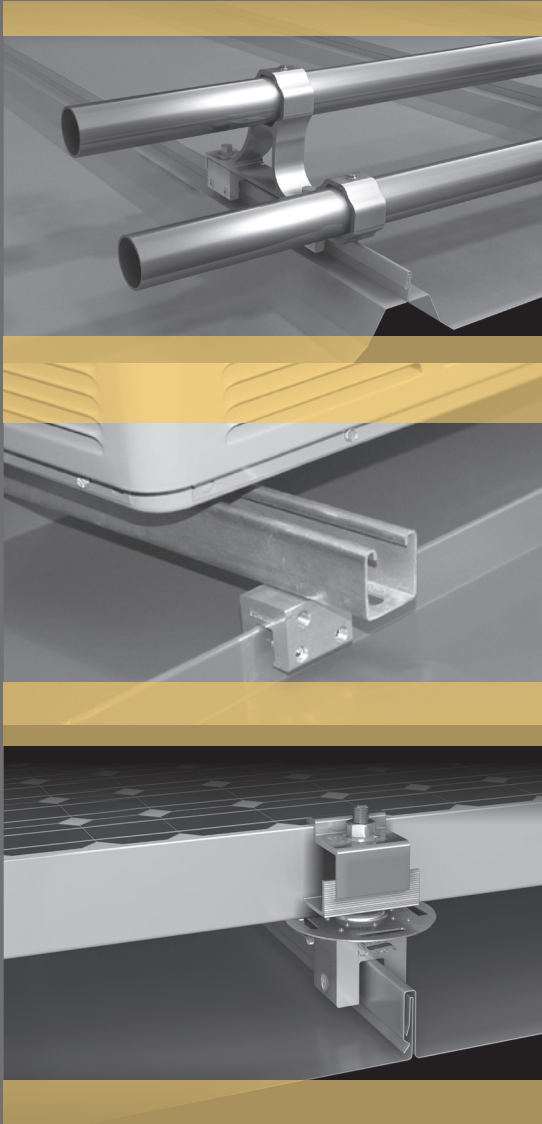
## ColorGard<sup>®</sup> Snow Retention

ColorGard<sup>®</sup> is the most reliable snow retention system on the market, and we have the warranty to prove it! In addition to the free 25-year warranty on parts, ColorGard is the only system that offers an optional limited ColorGard System Warranty\* against system failure. ColorGard maintains unsurpassed holding strength and a lower installed cost than any other engineered system on the market. And unlike other snow retention systems, ColorGard utilizes a strip of the actual roof material to ensure perfect color match for the life of the roof.\*

\* To see optional limited ColorGard System Warranty information, check out our ColorGard Calculator, view load test results, and more at [www.S-5.com](http://www.S-5.com).

## SnoRail<sup>™</sup> and SnoFence<sup>™</sup>

SnoRail<sup>™</sup> and SnoFence<sup>™</sup> can dramatically reduce the risks associated with rooftop avalanches, while maintaining the clean lines of the roof. Whether aluminum or brass, the SnoRail and SnoFence systems offer a sleek, stylish design and can be engineered on a site-specific basis.



### X-Gard™ Snow Retention



When snow accumulations begin to melt, the result can be catastrophic. Blankets of snow can avalanche off the roof, dumping tons onto anything in its path. This falling snow can damage landscape, gutters, adjacent roofs, and vehicles, and can even cause injury or death to passers-by. X-Gard™ is the newest snow retention solution from S-5!® and can be designed as a one- or two-pipe system spanning up to 48". No other pipe snow retention system on the market has proven stronger than X-Gard.

### S-5! Utility System

The Utility System enables easy attachment of almost any conceivable utility application, including: signs, banners, light fixtures, gas piping, antennas, roof walkways, HVAC equipment, lightning protection systems, condensate lines, stack/flue bracing, fascias, equipment screens, electrical conduit, antennas, cabling, and more.

### S-5-PV Kit Solar Attachment



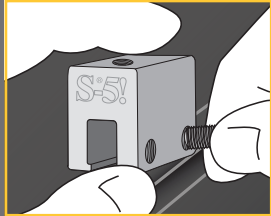
Around the globe, the concept of combining photovoltaic arrays with standing seam metal roofing is growing — and for good reasons. A standing seam metal roof has a life expectancy consistent with that of PV modules. A 30-year power source on a 40-year roof, along with S-5!'s zero-penetration technology, creates the most sustainable roof system available coupled with alternative power generation!



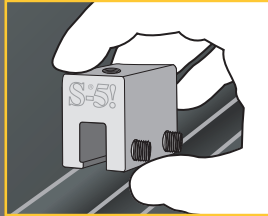
# The S-5!<sup>®</sup> Family of Products

Installation is Easy

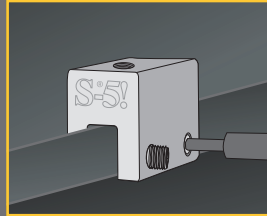
1



2



3



The S-5!<sup>®</sup> family of clamps attach to the metal roof panel seam by inserting and tightening one setscrew for mini clamps or two setscrews for standard-sized clamps. These setscrews will slightly dimple the seam material, but they will neither pierce it, nor penetrate the roof membrane. This provides a sound mechanical attachment that will not deteriorate with age.

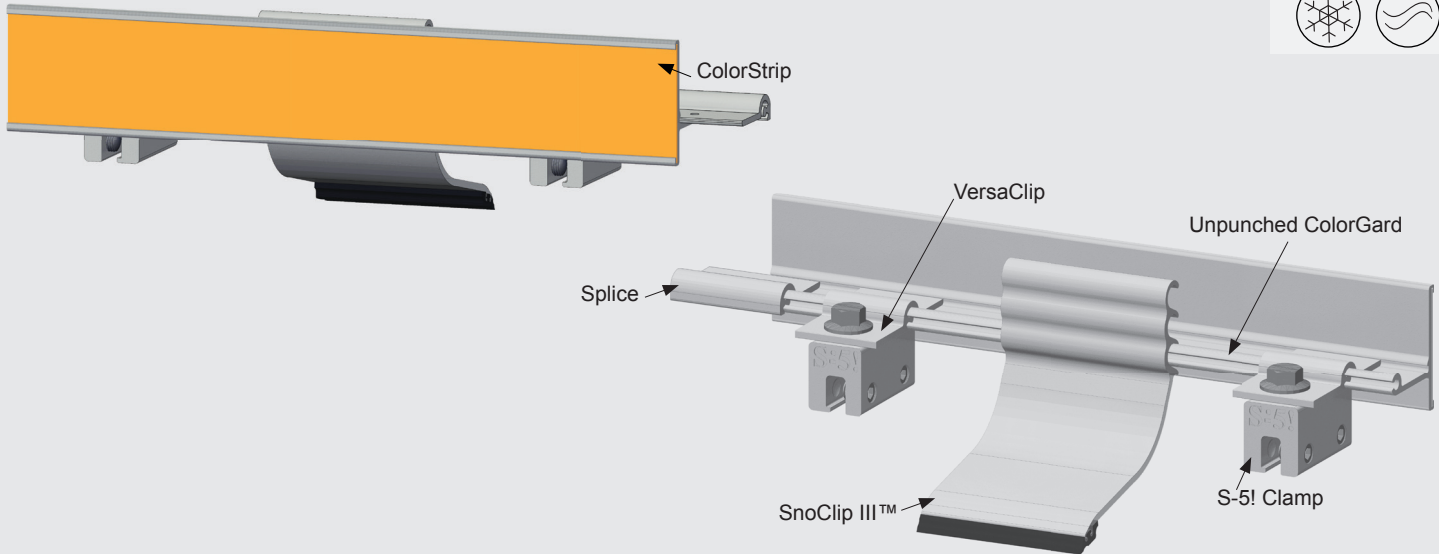
Go to [www.S-5.com/tools](http://www.S-5.com/tools) for complete installation instructions, information, and tools available for properly attaching and tensioning S-5! clamps.

Our patented clamps offer durability and reliability unequalled by adhesives that degrade over time with heat cycles, UV radiation, and ozone. Don't be misled — one size does not fit all roofs! Each clamp style has been independently laboratory tested on a variety of seam types, profiles, and materials to determine ultimate tensile failure loads parallel and perpendicular to the panel seam. These test results are available at [www.S-5.com](http://www.S-5.com).

S-5! clamps are designed to have maximum holding strength, while maintaining the roof's weather-tightness and preserving the roof manufacturer's warranty!



# S-5!® Snow Retention Systems

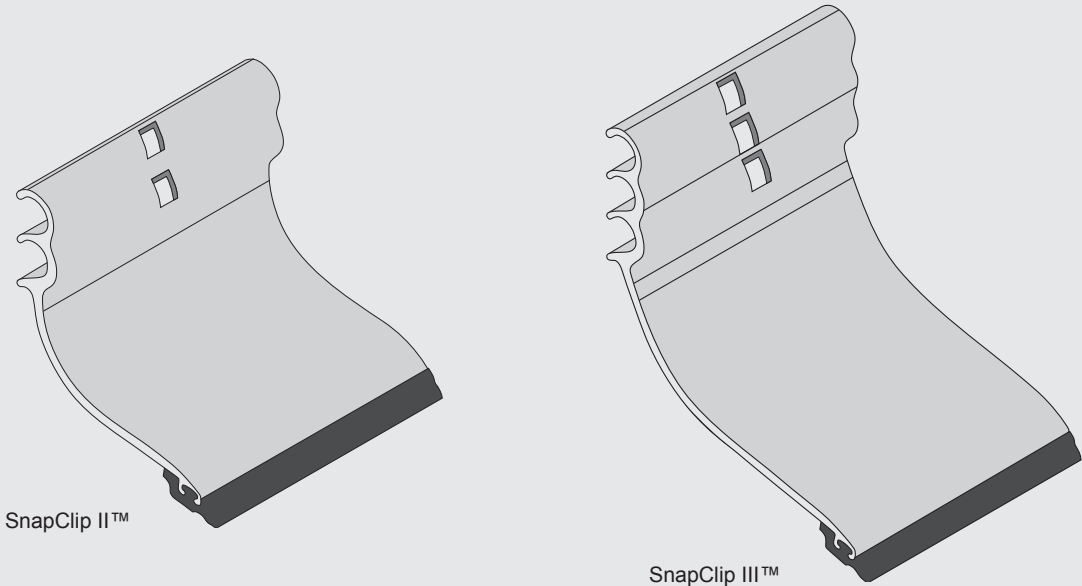


## ColorGard®

Designed on a site-specific basis, ColorGard® controls snow migration while maintaining the clean colorful appearance of the roof with perfect color and finish matching. ColorGard is the only snow retention system that can be guaranteed for total system performance and exact color match for the life of the roof!\* ColorGard's penetration-free clamp attachment technology preserves the roof manufacturer's warranty.

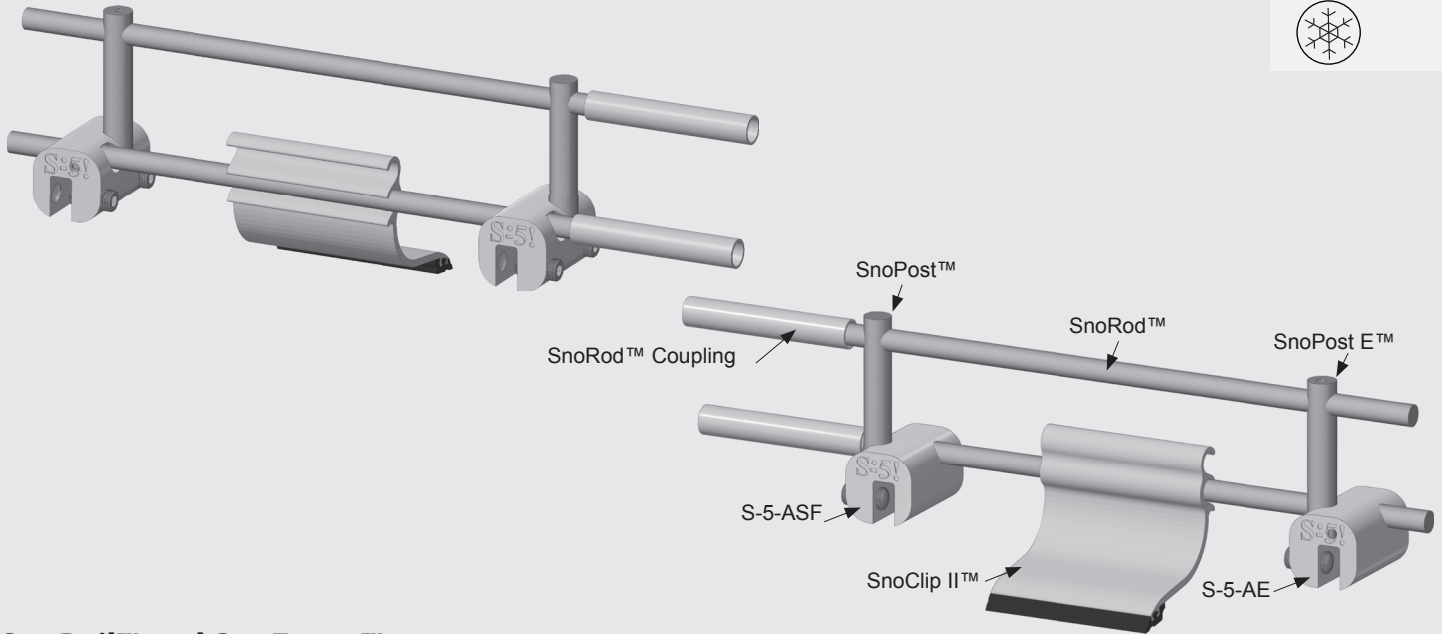
\*To see optional limited ColorGard System Warranty information, check out our ColorGard Calculator, view load test results, and more at [www.S-5.com](http://www.S-5.com).

Components sold separately



## SnapClip II™ and SnapClip III™

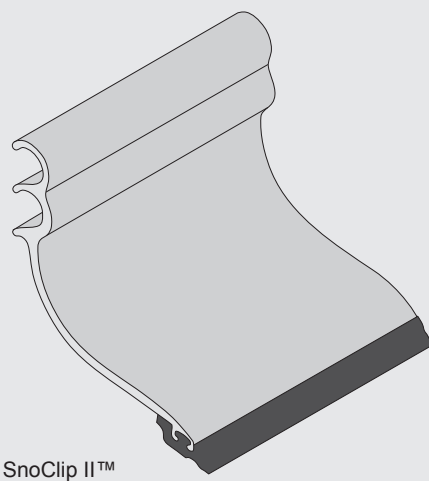
SnapClip II™ or SnapClip III™ are optional components that can be added to your S-5! ColorGard® snow retention system. To further retard the migration of snow, SnapClip can be retrofitted to existing ColorGard assemblies. SnapClip is installed by snapping the appropriate lock onto the ColorGard crossmember, and securing by driving a screw through the pre-punched holes into the channel of the crossmember. It has a special integrated rubber "foot" to prevent abrasion of the panel's finish. SnapClip II™ has 2 locks and is especially made for seam heights of 1" (25 mm) to 1-3/4" (44.5 mm). SnapClip III™ has 3 different locks and will work on seam heights of 1-3/4" (44.5 mm) up to 3" (76 mm).



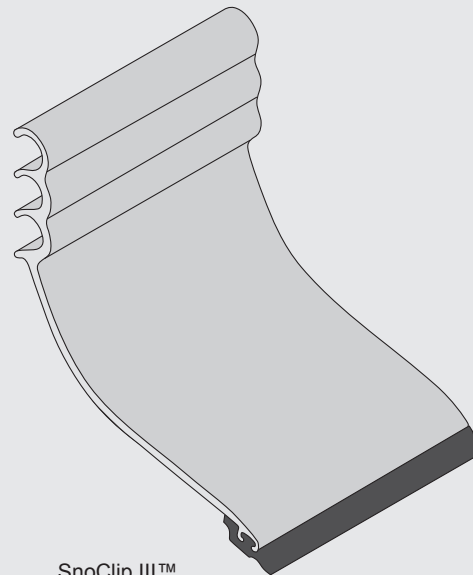
**SnoRail™ and SnoFence™**

Architects and roof designers agree; the clean lines, cylindrical shapes, and high-tech look of our SnoRail™ and SnoFence™ systems present attractive functionality without cluttering the lines of standing seam metal roofs. Systems are available in aluminum for common roof material types, as well as brass for use on copper standing seam roofs.

Components sold separately



SnoClip II™



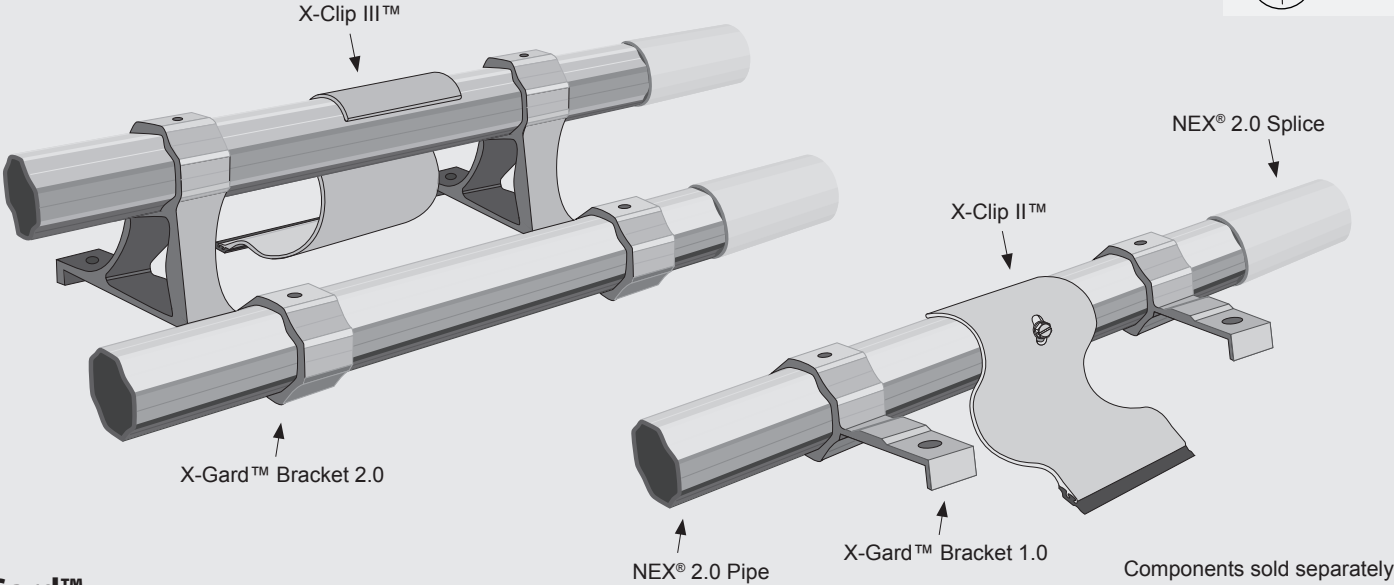
SnoClip III™

**SnoClip II™ and SnoClip III™**

This aluminum component retards the migration of snow and ice beneath the ColorGard® crossmember or SnoRail™ and SnoFence™ systems by sliding the part onto the crossmember or rod from the end. It has a special integrated rubber “foot” to prevent abrasion of the panel’s finish. SnoClip II™ has two locks and is designed for seam heights of 1" (25 mm) to 1-3/4" (44.5 mm). SnoClip III™ has three different locks and is designed for seam heights of 1-3/4" (44.5 mm) up to 3-1/4" (76 mm).

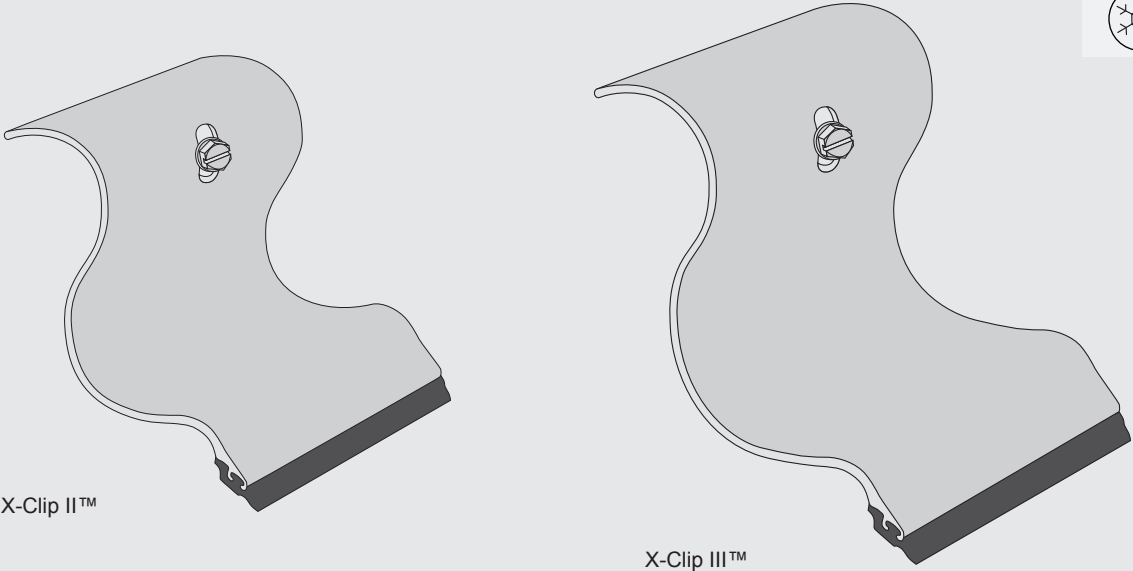


# S-5!® Snow Retention Systems



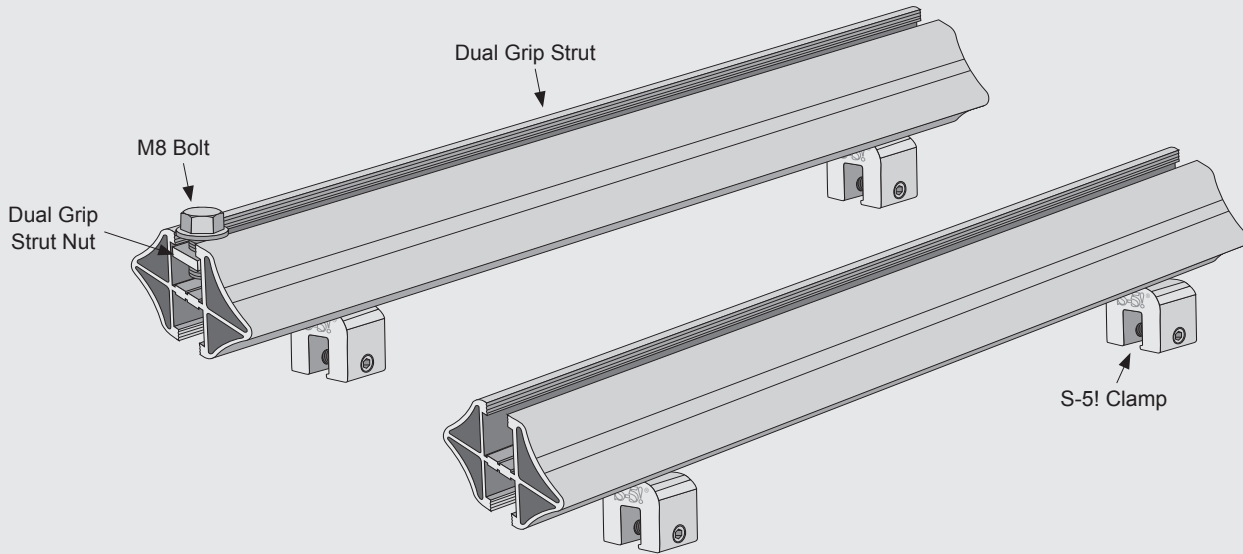
## X-Gard™

X-Gard™ is the newest snow retention solution from S-5!® and can be designed as a one- or two-pipe system spanning up to 48". No other snow retention system on the market has proven stronger than X-Gard. This new snow retention solution can be easily retrofitted to existing roofs or incorporated into new construction design.



## X-Clip II™ and X-Clip III™

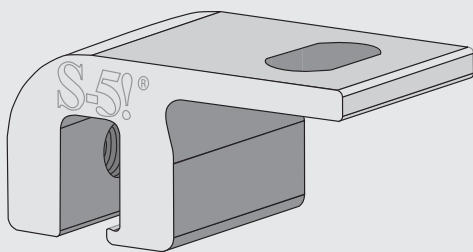
This aluminum component retards the migration of snow and ice beneath the X-Gard™ NEX® 2.0 Pipe. It has a special integrated rubber "foot" to prevent abrasion of the panel's finish. X-Clip II™ is designed for seam heights of 1" (25 mm) to 1-3/4" (44.5 mm). It will also fit 2" (51 mm) vertical seams, but not 2" (51 mm) horizontal. X-Clip III™ is designed for seam heights of 2" (51 mm) up to 3" (76 mm).



**Utility System**

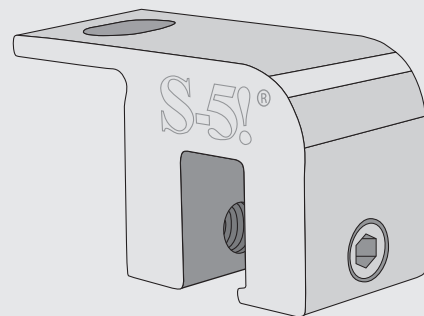
Components sold separately

The S-5!<sup>®</sup> Utility System is the most versatile utility mounting solution for standing seam metal roofs, and is exclusively from S-5!. The Utility System enables easy attachment of almost any conceivable utility application, including: signs, banners, light fixtures, gas piping, antennas, roof walkways, HVAC equipment, lightning protection systems, condensate lines, stack/flue bracing, fascias, equipment screens, electrical conduit, antennas, cabling, and more.



**S-5-EF**

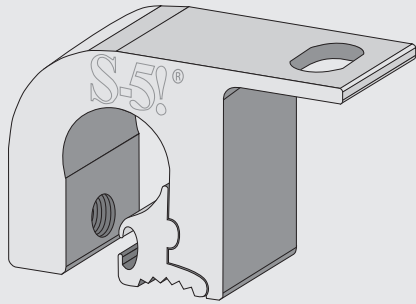
The S-5-EF Mini clamp is a unique mini clamp with a flange that is designed to increase the ease and versatility of attaching items such as the Utility System to double-folded standing seams.



**S-5-USF**

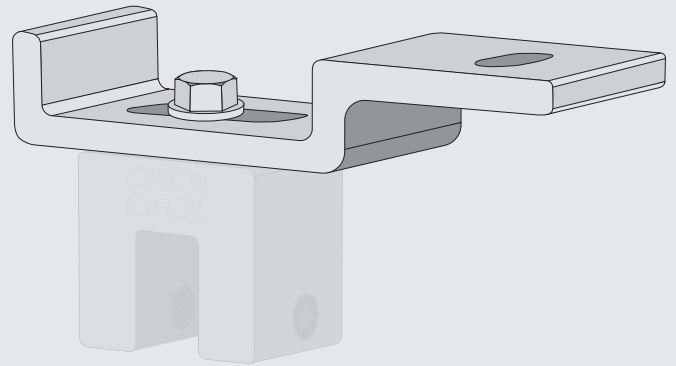
The S-5-USF Mini clamp is a mini clamp with a flange, increasing the ease with which some ancillaries, such as the Utility System, can be attached. The S-5-USF fits 85% of U.S. standing seam profiles including most snap-together and machine-folded seams.

## S-5!® Utility System



### S-5-ZF

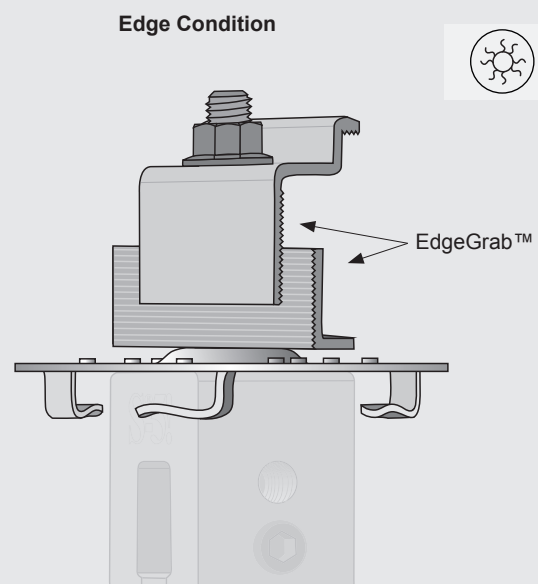
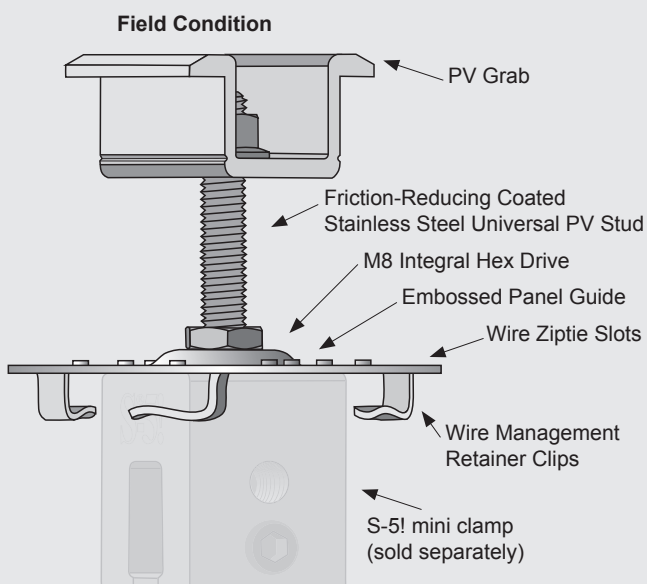
The S-5-ZF Mini clamp is a mini clamp with a flange that is specifically designed to fit bulb-shaped profiles, increasing the ease with which some ancillaries can be attached, including the Utility System.



### S-5-FA

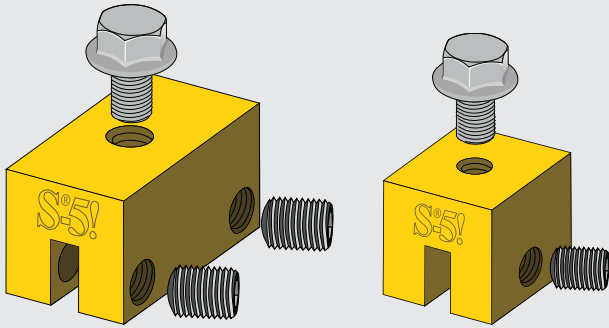
If the metal roof profile isn't compatible with the three flanged clamps mentioned before (i.e. S-5-ZF, S-5-EF, or S-5-USF), the Utility System can utilize the S-5-FA with the appropriate S-5! clamp to quickly provide a flanged component to any of the other S-5! mini clamps.

## S-5!® Solar Attachment



### S-5-PV Kit

The S-5-PV Kit features a groundbreaking stainless steel mounting disk with twelve nodes designed to ensure the module-to-module conductivity of anodized aluminum module frames. This means it automatically provides a ground path in the module frame. There are no lugs or wire required, except to connect one string of modules to another and to ground the system. The new S-5-PV Kit is one of the first solar module mounting solutions in the industry to be listed to the new UL subject 2703, a standard that covers both bonding and mounting. Furthermore, the S-5-PV Kit has gained an ETL Listing to UL 1703.

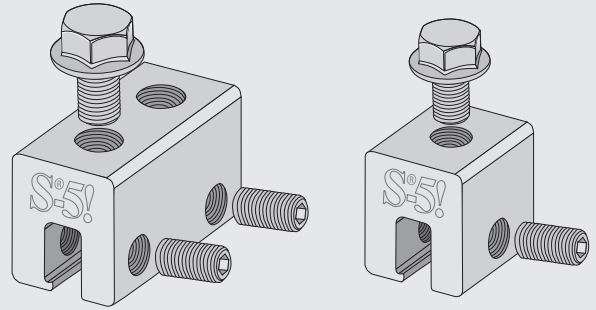


Mini



**S-5-B**

The S-5-B clamp allows architects to maintain the beautiful appearance of their copper roofing. The brass clamp fits either traditional standing or batten seams.



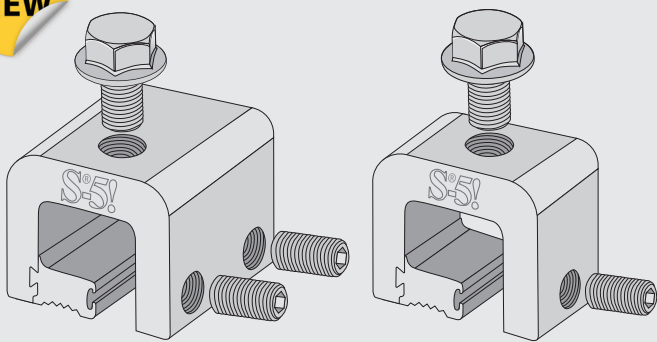
Mini



**S-5-E**

The S-5-E is designed specifically for double-folded standing seam roofs that are so popular in Europe (and in the U.S.). The S-5-E is a bit smaller and less expensive than the S-5-U, but every bit as strong. It also fits Butler's MR-24<sup>®</sup>.

**NEW**



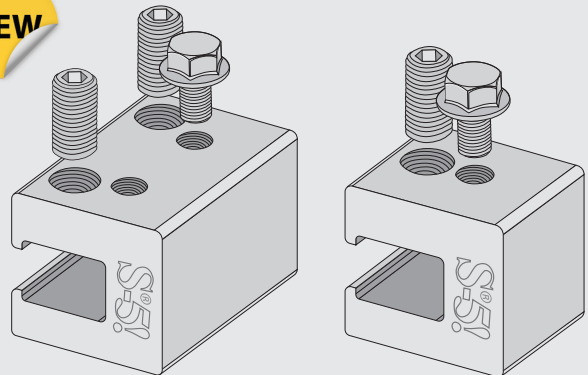
Mini



**S-5-H**

The S-5-H clamp was specifically developed to accommodate metal roof panels with a horizontal seam. The clamp's unique two-piece design allows for attachment anywhere along the length of the rib, making installation fast and easy!

**NEW**

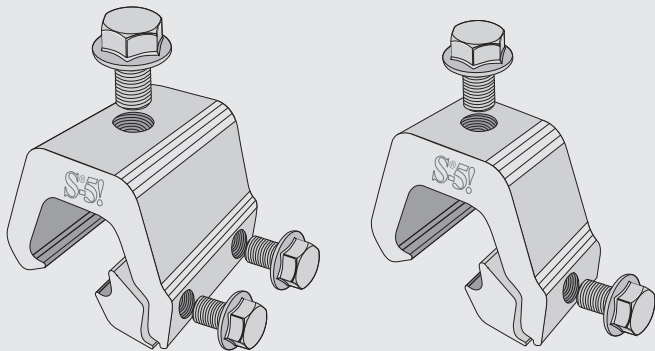


Mini



**S-5-H90**

The S-5-H90 is a one-piece clamp that was developed to securely and cost-effectively accommodate metal roof panels with a horizontal seam greater than 0.65".



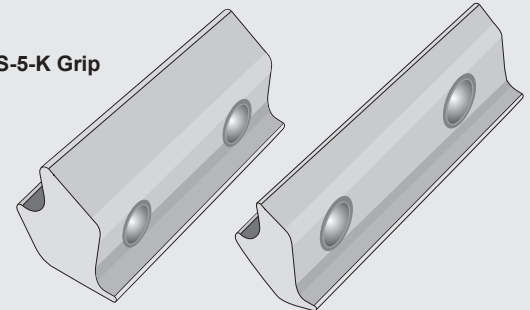
Mini



## S-5-K Grip

The S-5-K Grip™ clamp was specifically developed to fit Klip-Rib® and other bulb snap-together seams. The design utilizes multiple inserts (sold separately) in order to accommodate a variety of bulb snap-together profiles. The S-5-K Grip eliminates the large moment arm other attachment products use for these profiles.

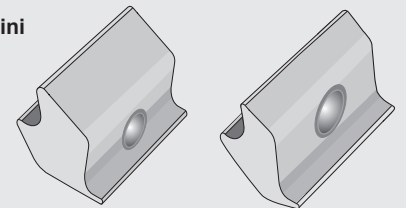
### Inserts for the S-5-K Grip



S-5-GX 10

S-5-GX 50

### Inserts for the S-5-K Grip Mini

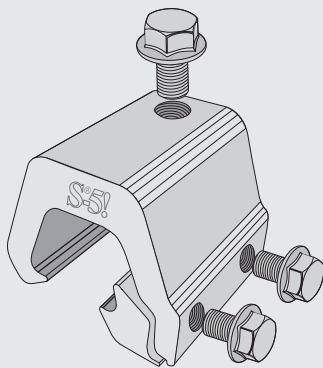


S-5-GXM 10

S-5-GXM 50

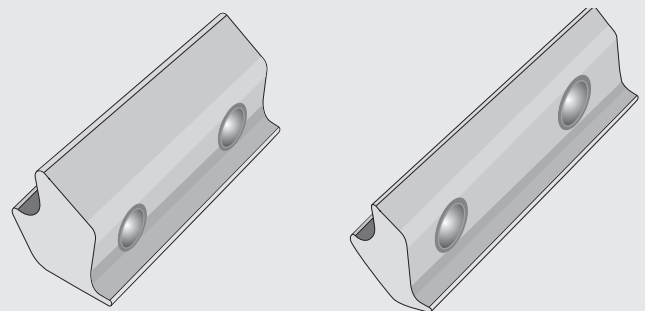
## S-5-K Grip Inserts

Each S-5-K Grip insert has a unique shape that allows for a tight fit and provides increased holding strength over other attachment options. S-5-K Grip inserts are sold separately from S-5-K Grip clamps.



## S-5-K Grip Snow

The S-5-K Grip Snow clamp was specifically developed utilizing multiple inserts (sold separately) in order to accommodate a variety of bulb snap-together profiles. It features a low mounting surface area with the mounting bolt directly over the center of the seam, which dramatically increases the strength of the clamp and makes it perfect for use with our snow retention systems or other heavy-duty applications.

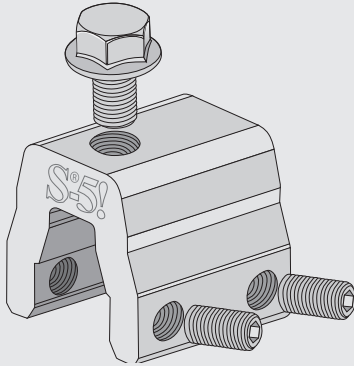


S-5-GX 10

S-5-GX 50

## S-5-K Grip Snow Inserts

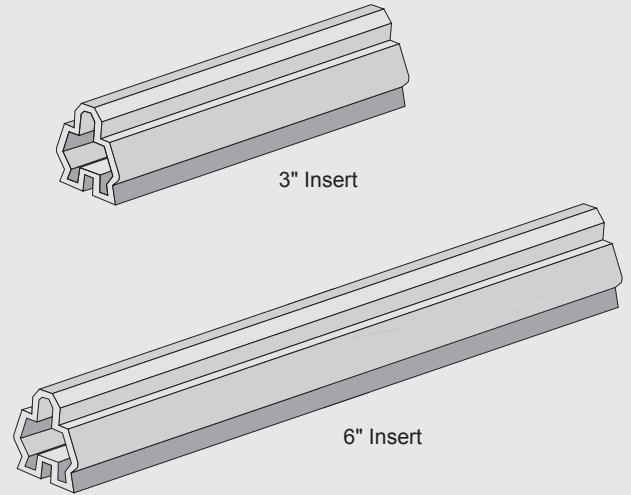
Each S-5-K Grip Snow insert has a unique shape that allows for a tight fit and provides increased holding strength over other attachment options. S-5-K Grip Snow inserts are sold separately from S-5-K Grip Snow clamps.



**S-5-KHD**

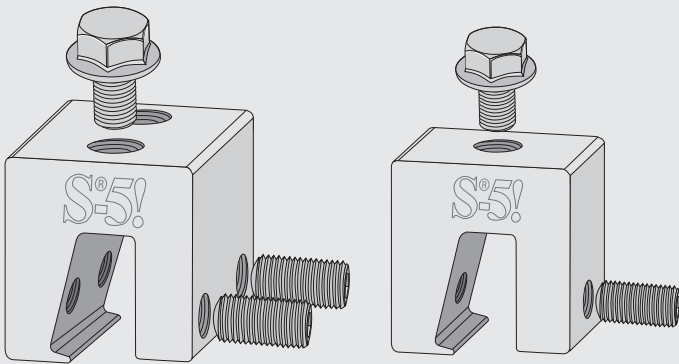


The S-5-KHD is the most heavy-duty and durable clamp in the S-5! family. Designed primarily for new construction, this clamp fits the very distinctive profiles of the Lysaght 406<sup>®</sup>, McElroy Mirage, Metal Sales Clip Loc, and AEP-SPAN Klip-Rib<sup>®</sup>. This clamp features an insert that is placed on the intermediate rib for extra hold. Significantly stronger than anything else on the market for these profile types, this clamp is geared for snow retention systems and other heavy-duty applications in new construction where holding strength is critical. Retrofit insert also available.



**S-5-KHD Inserts**

The S-5-KHD clamp features an insert that is placed on the intermediate seam for extra hold. Available in two lengths, the inserts make the S-5-KHD significantly stronger than anything else on the market for these profile types.

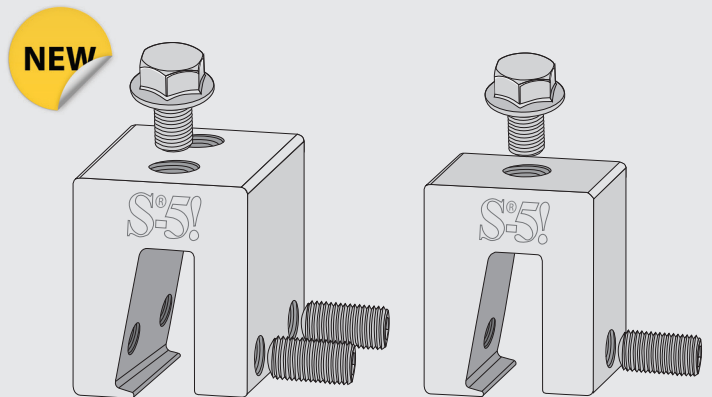


Mini



**S-5-N**

The S-5-N clamp was designed for application on popular 1" nail strip metal roof profiles. The clamp design minimizes the need to field crimp, engages the female part of the triangular seam, sits straighter on the seam, and eliminates the need to hold the clamp in place while setscrews are tensioned.



Mini

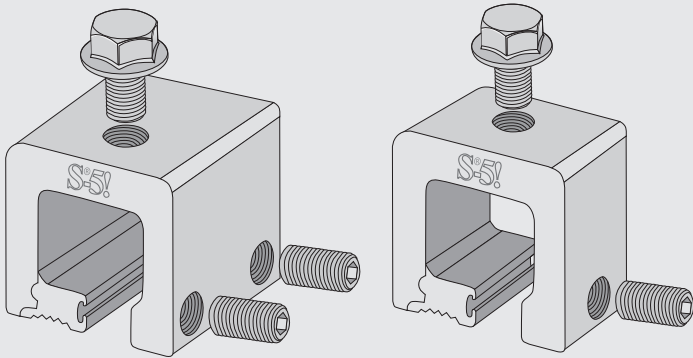


**S-5-N 1.5**

The S-5-N 1.5 clamp was designed for application on popular 1.5" nail strip metal roof profiles. An angled wall with a nose permits the S-5-N 1.5 to engage the triangle-type profiles during the installation process, and a wider throat accommodates most nail strip profiles. The combination of these two features allows the S-5-N 1.5 clamp to sit straighter on the seam.



# S-5!® Clamps

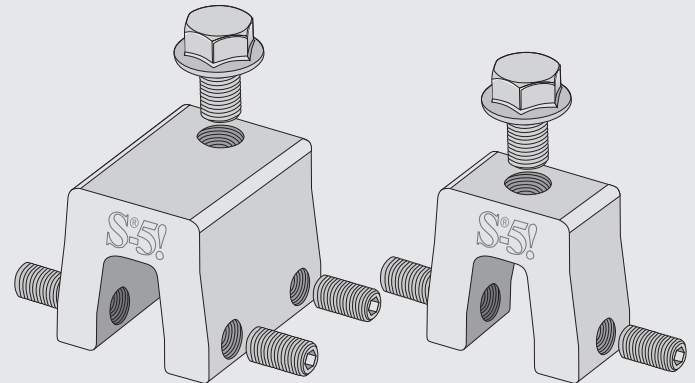


Mini



## S-5-Q

The S-5-Q clamp was developed to accommodate metal roof panels having a large, round “bulb” seam configuration up to 29 mm. It will also fit smaller bulb-shaped profiles that were not seamed correctly, allowing the seam to be utilized without modification.

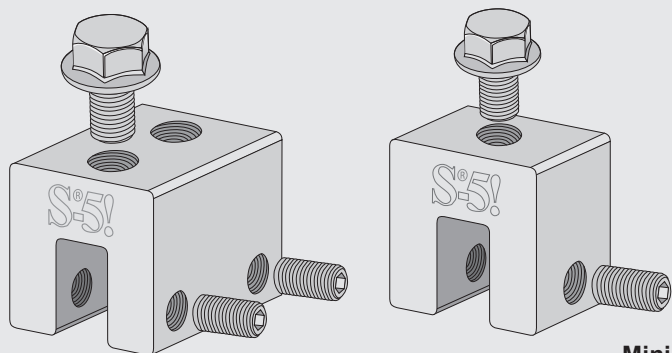


Mini



## S-5-R465

The S-5-R465 clamp was created specifically to fit the Zambelli RIB-ROOF 465, McElroy Metal's Mirage II, Rib Roof Metal Systems' Rib Roof, and similar roof profiles. The clamps are uniquely designed with opposing setscrews to maximize holding strength, proving to have more than three times the holding strength compared to the old S-5-R model this clamp replaced.

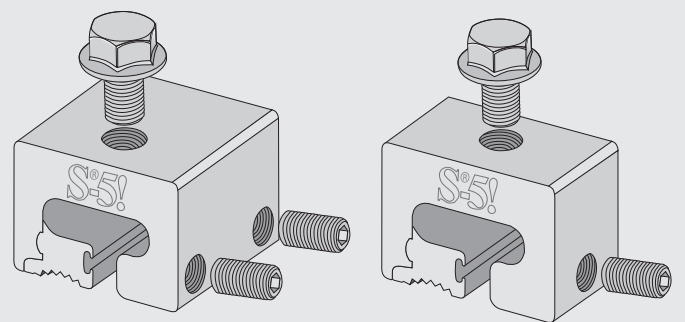


Mini



## S-5-S

The S-5-S clamp is an extraordinarily versatile clamp. It was created for popular snap-together profiles — including residential profiles such as Taylor Metal's Easy Lock™ Standing Seam and the Firestone UC4. The S-5-S or S-5-S Mini can be used on horizontal seams under 0.54" to avoid field crimping the seam.

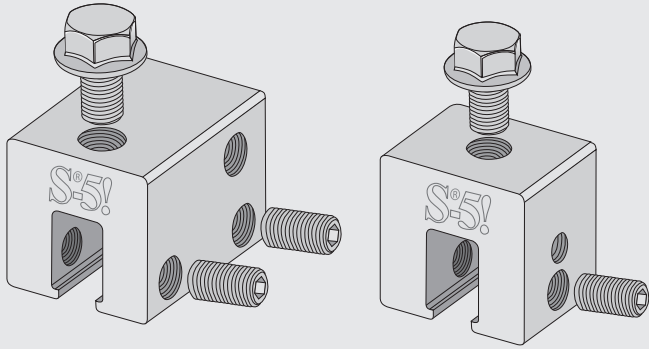


Mini



## S-5-T

The S-5-T was specially developed to fit certain profiles having a T-shaped seam configuration. Its two-piece design allows it to be easily installed anywhere along the length of the panel seam, and also works on architectural “angle-seam” or “single-folded” paneling.

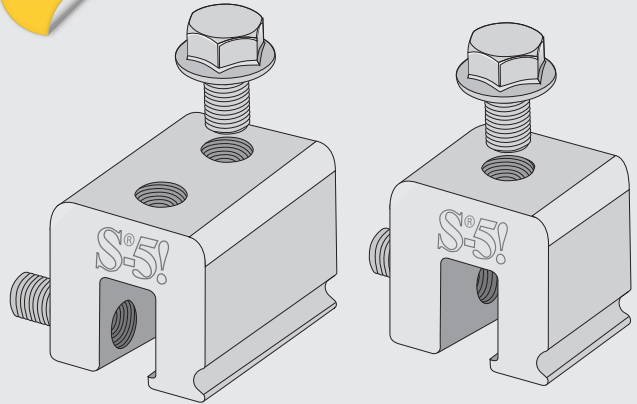


Mini

**S-5-U**



The S-5-U is by far our most popular and versatile clamp. It fits about 85% of the standing seam profiles manufactured in North America — including most structural and many popular architectural profiles. The S-5-U can be used on vertically-oriented seams and, by rotating the clamp 90°, it can also be used on most horizontal 2" seam profiles.

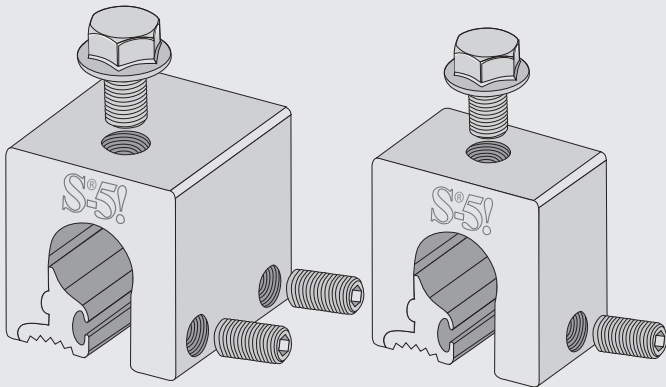


Mini

**S-5-V**



The S-5-V clamp is a versatile clamp that fits vertical-folded seam profiles including most structural and architectural profiles. Its simple design and generous dimensioning are what make the S-5-V clamp so versatile for use with the S-5!<sup>®</sup> snow retention products, such as ColorGuard<sup>®</sup>, as well as with other heavy-duty applications.



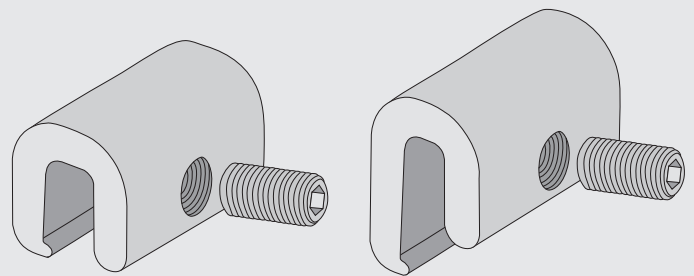
Mini

**S-5-Z**



The S-5-Z clamp is specially designed to fit Zip-Rib<sup>®</sup>, Kalzip<sup>®</sup>, and similar profiles that have a round "bulb" seam configuration. Its two-piece clamp design allows it to be easily installed anywhere along the length of the rib.

**S-5!**<sup>®</sup> Wind Solution



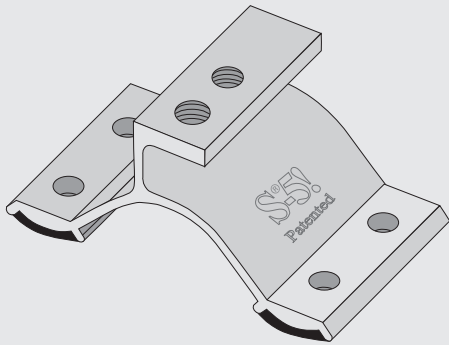
WindClamp DL

WindClamp UD



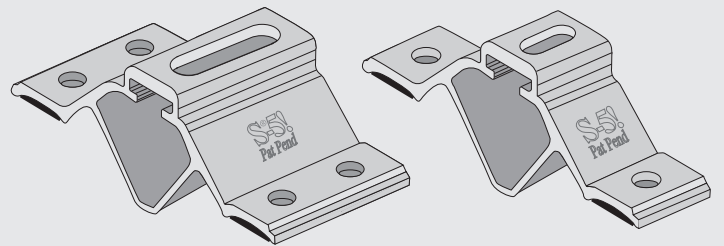
**WindClamp™ DL and WindClamp™ UD**

Wind uplift can be quite dramatic, threatening to tear a metal roof from its mounting. Likelihood of failure can be reduced with the use of external seam reinforcement, such as the patented S-5! WindClamps™. For very low cost, S-5! WindClamps increase, and often double, wind resistance, preventing multiple modes of failure, including clip disengagement (when used at a clip location).



## CorruBracket™

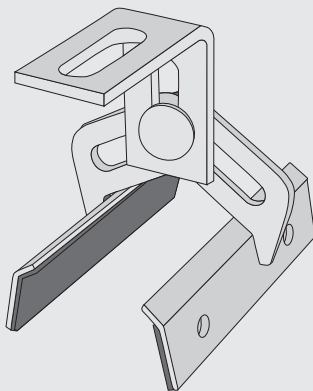
The S-5!® CorruBracket™ can be used to mount almost anything to corrugated metal roofing. CorruBracket is compatible with 7/8" and 3/4" U.S. corrugated profiles. No messy sealants to apply! No chance for leaks! The CorruBracket comes with factory-applied butyl sealant already in the base, and the S-5!-patented reservoir conceals the sealant from UV exposure, preventing UV degradation.



Mini

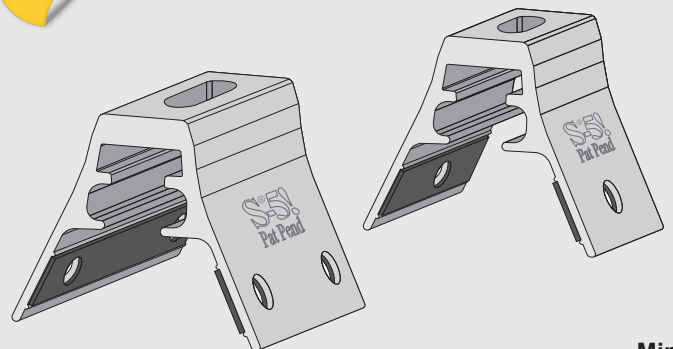
## CorruBracket™ 100T

The S-5!® CorruBracket™ 100T is designed specifically for corrugated roofing profiles that are common in North America. CorruBracket 100T mounts directly into the crest of the corrugation, straddling the valley. The slotted top hole, which accommodates standard M8 nuts and bolts, simplifies alignment and maximizes flexibility in attaching ancillaries.



## ProteaBracket™

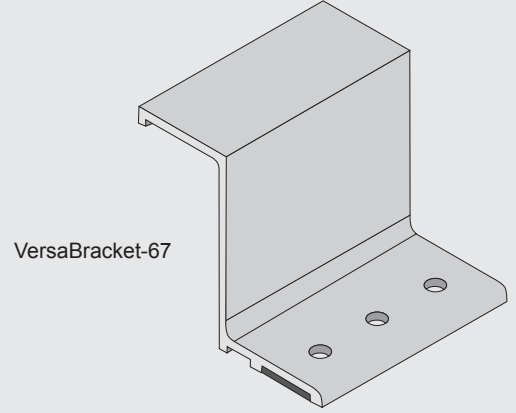
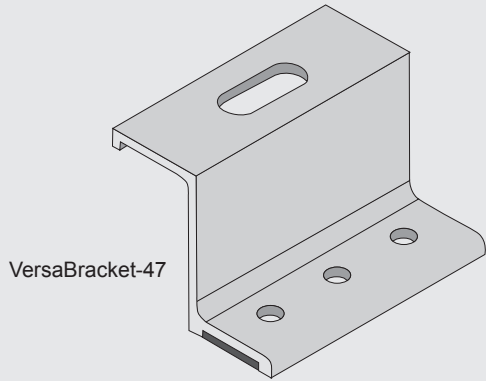
ProteaBracket™ is the most versatile exposed-fastened metal roof attachment solution on the market, fitting most trapezoidal sheet profiles with and without intermediate insulation. It features an adjustable attachment base and multiple solar module attachment options to accommodate varying widths and heights. There are no messy sealants to apply and no chance for leaks; the ProteaBracket comes with factory-applied adhesive rubber sealant to ensure quick installation and a weather-proof fit.



Mini

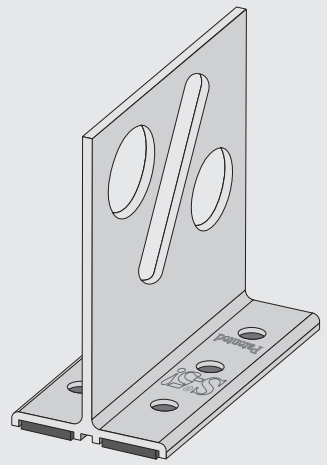
## RibBracket™

RibBracket™ can be used to mount almost anything onto the most common exposed-fastened, trapezoidal roof profiles marketed in North America today. RibBracket is the perfect match for our S-5-PV Kit, or any other ancillary application, and eliminates worry about cold bridging! RibBracket is extremely economical and facilitates quick and easy installation. The slotted top hole, which accommodates standard M8 nuts and bolts, simplifies alignment and maximizes flexibility in attaching ancillaries.



**VersaBracket-47™ and VersaBracket-67™**

To accommodate various rib heights, VersaBracket™ comes in two heights. VersaBracket can be used to mount almost anything to an exposed-fastened roof system and is compatible with almost any trapezoidal, exposed-fastened profile. No messy sealants to apply! No chance for leaks! The VersaBracket comes with factory-applied butyl sealant already in the base, and the S-5!<sup>®</sup>-patented reservoir conceals the sealant from UV exposure, preventing UV degradation.



**VersaGard™**

The S-5!<sup>®</sup> VersaGard™ is a strong, versatile, and affordable exposed-fastened solution for mounting snow retention and solar panels to almost any trapezoidal, exposed-fastened profile. VersaGard can be installed parallel (for snow retention or PV installations) or perpendicular to the rib (for PV installations). While the circular holes in the vertical part of the bracket support 1" pipes, the diagonal slot provides flexible support for PV installations via the use of 3/8", M8, or M10 bolts.

Visit Us Online!

## Learn More About S-5!® Products!

To read more about each product and view installation instructions, visit our website at [www.S-5.com](http://www.S-5.com). You will find helpful videos, customer testimonials, distributor information, and more.

### Connect with us!

We would love to connect with you on social media. Stay up-to-date with our newest product launches and find out which tradeshow we'll be attending next!



/S5TheRightWay



@S5\_TheRightWay

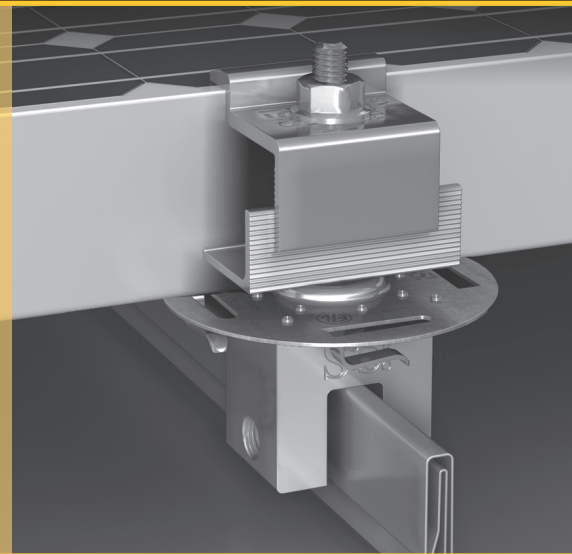
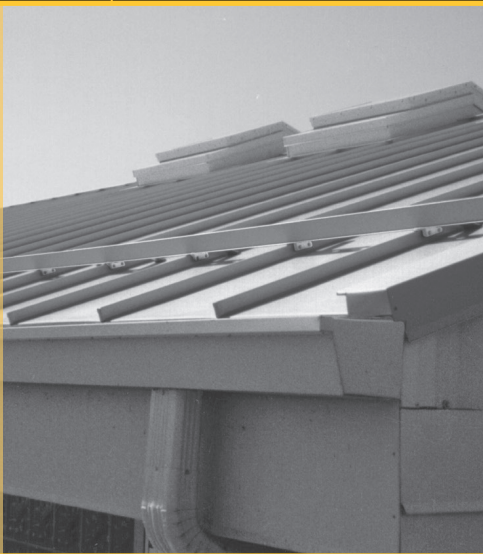
S-5! Independent Distributors


A. B. Martin Roofing Supply, LLC	www.abmartin.net
Allied Building Products Corp.	www.alliedbuilding.com
AMSI Supply	www.amsisupply.com
Armor Building Supply	www.armorbuildingsupply.com
ATAS	www.atas.com
AtIE Store	www.altestore.com/store
Big Rock Supply	www.bigrocksupply.com
Brock Associates, LLC	(412) 919-0690
CED/Greentech	www.cedgreentech.com
Civic Solar	www.civicsolar.com
Clean Energy Distribution	www.cleanenergydistribution.com
Coated Metals Group (CMG)	www.cmgmetals.com
Design Components	www.designcomponents.com
Dimensional Metals, Inc. (DMI)	www.dmimetals.com
Drexel Metals	www.drexmet.com
Englert	www.englertinc.com
Inter-Island Solar	www.solarsupply.com
K&M Distributors	(434) 841-2018
LMCurbs	www.lmcurbs.com
McElroy Metal, Inc.	www.mcelroymetal.com
Metal Plus, LLC	www.metalplusllc.com
North Coast Commercial Roofing Systems	www.nccrs.com
Pac-Clad Petersen Aluminum	www.pac-clad.com
Rapid Materials	www.rapidmaterials.com
Renvu	www.renvu.com
Rexel Energy Solutions	www.munroelectric.com
Rocky Mountain Snow Guards	www.rockymountainsnowguards.com
Roof Things	www.roofthings.com
Schafer and Company	(303) 733-2303
SFS Intec	www.sfsintecusa.com
Sheet Metal Supply	www.sheetmetalsupplyltd.com
Sheffield Metals International	www.sheffieldmetals.com
Soligent	www.soligent.net
The Bryer Company	www.thebryercompany.com
Triad Corrugated Metal	www.triadmetalroof.com
Warshauer Electric Supply	www.warshauer.com
WV Metal Wholesalers, Inc.	www.wvmetals.com

**The Right Way to Attach Almost Anything to Metal Roofs!**

# S-5!<sup>®</sup>

The Right Way!



[www.S-5.com](http://www.S-5.com) | 888-825-3432 | 

S-5!<sup>®</sup> Warning! Please use this product responsibly!

Products are protected by multiple U.S. and foreign patents. Visit the website at [www.S-5.com](http://www.S-5.com) for complete information on patents and trademarks. Consult the S-5! website at [www.S-5.com](http://www.S-5.com) for published data regarding holding strength.

Copyright © 2015, Metal Roof Innovations, Ltd. S-5! products are patent protected. S-5! aggressively protects its patents, trademarks, and copyrights. Version 052115.

Distributed by: